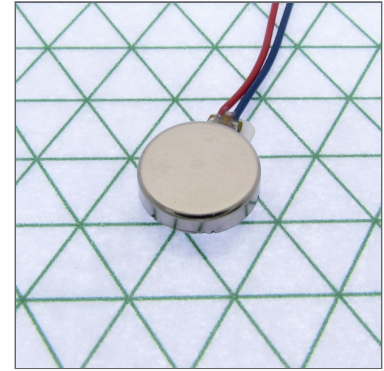


# Product Data Sheet

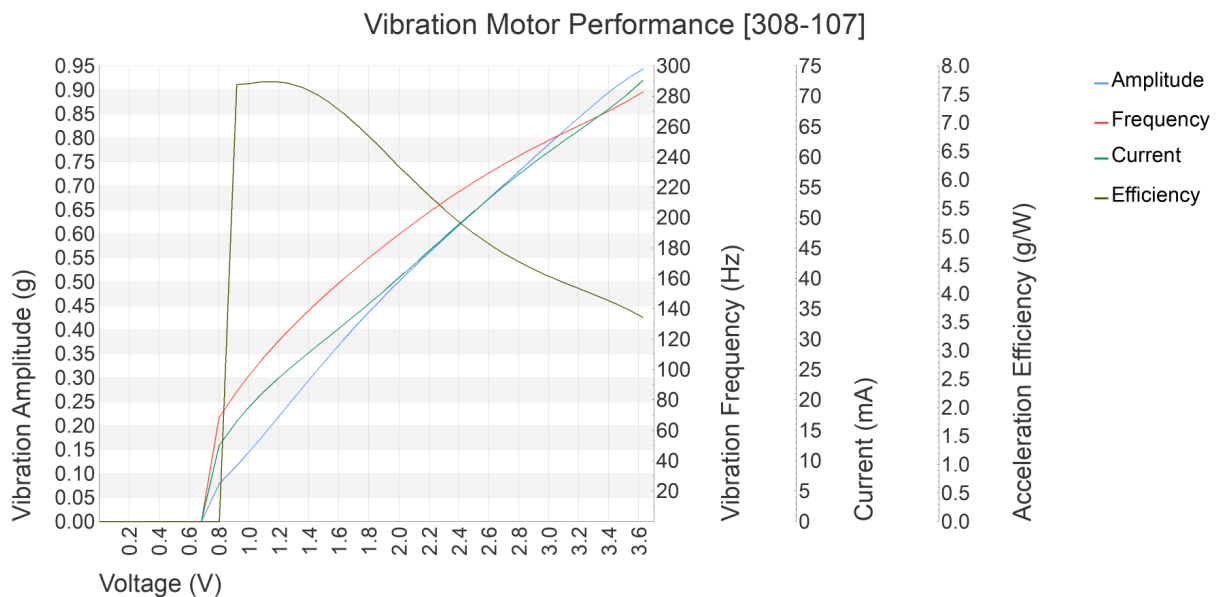
Range: Pico Vibe  
 Title: 8mm Vibration Motor  
 Type: Undefined  
 Model: 308-107

8mm Vibration Motor  
 2mm Type  
 Shown on 6mm Isometric Grid



KEY FEATURES	
Body Diameter	8 mm [+/- 0.1]
Body Length	2.15 mm [+/- 0.1]
Rated Operating Voltage	3 V
Rated Vibration Speed	15,000 rpm [+/- 3,000]
Typical Rated Operating Current	61 mA
Typical Norm. Amplitude	0.75 G

## TYPICAL DC MOTOR PERFORMANCE CHARACTERISTICS



## ORDERING INFORMATION

The model number fully defines the model, variant and additional features of the product. Please quote this number when ordering. For stocked types, testing and evaluation samples can be ordered directly through our online store.

**FIND OUT HOW THIS PART COULD MEET YOUR SPECIFICATIONS**

Email: [enquiries@precisionmicrodrives.com](mailto:enquiries@precisionmicrodrives.com)  
 Call: +44 (0) 1932 252482

# Looking for the perfect design? We can help.



Precision Microdrives is an ISO 9001:2015 trusted designer and manufacturer of miniature, cost-effective, and well engineered motors and mechanisms. We are specialists in,

- [Trusted precision motor design](#)
- [Flexible motor & mechanism manufacturing](#)
- [Dependable quality control & after-sales support](#)
- [Industry leading motor testing and validation](#)

Our UK based motor design engineers, will support you through the complex process of specifying, developing, validating, and mass manufacturing, a custom motor or mechanism. The result? A part perfect for your application.

Delivered, On-Time & To Spec.

## SPEAK TO OUR DESIGN ENGINEERS TODAY

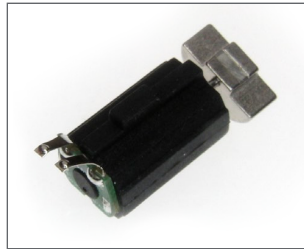
Email: [enquiries@precisionmicrodrives.com](mailto:enquiries@precisionmicrodrives.com)  
Call: +44 (0) 1932 252482

### DESIGN FOR APPLICATION CASE STUDIES



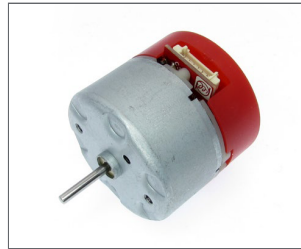
#### ENCAPSULATED VIBRATION MOTOR FOR A CPR TRAINING DUMMY

- Low volume, high value manufacturing
- Custom CNC machined enclosure
- Optimised haptic performance
- Custom PCB including EMI filters
- Part no. 334-401.001



#### VIBRATION MOTOR HIGHLY OPTIMISED FOR RUGGEDISED FIRE AND POLICE EMERGENCY RADIOS

- High volume production
- Optimised for emergency services application
- Ruggedised design with custom rubber 'suspension' cover
- Custom PCB with spring legs for simplified production assembly times
- Part no. 308-104.001



#### PRECISION SPEED AND TORQUE CONTROLLED SERVO WITH INTEGRATED TUNABLE PID LOOP FOR SINGLE-USE SCIENTIFIC INSTRUMENT.

- Medium volume, high value assembly
- Proprietary PID controller converts cost-effective motor design into a precision servo
- Adapted control software including digital IO (to customer's specification)
- Part no. 132-100.001



#### CUSTOMISED PRECISION GEAR MOTOR WITH ROBUST OPTICAL ENCODER

- High volume production
- Application specific output shaft
- Tailored motor performance curves
- Rear motor shaft with noise resistant optical encoder
- Part no. 212-116.001

**PHYSICAL SPECIFICATION**

PARAMETER	CONDITIONS	SPECIFICATION
Body Diameter	Max body diameter or max face dimension where non-circular	8 mm [+/- 0.1]
Body Length	Excl. shafts, leads and terminals	2.15 mm [+/- 0.1]
Unit Weight		1 g

**CONSTRUCTION SPECIFICATION**

PARAMETER	CONDITIONS	SPECIFICATION
Motor Construction		Flat Coreless
Commutation		Precious Metal Brush
No. of Poles		6

**LEADS & CONNECTORS SPECIFICATION**

PARAMETER	CONDITIONS	SPECIFICATION
Lead Length	Lead lengths defined as total length or between motor and connector	100 mm [+/- 2]
Lead Strip Length		1.5 mm [+/- 0.5]
Lead Wire Gauge		32 AWG
Lead Configuration		Straight

**OPERATIONAL SPECIFICATION**

PARAMETER	CONDITIONS	SPECIFICATION
Rated Operating Voltage		3 V
Rated Vibration Speed	At rated voltage using the inertial test load	15,000 rpm [+/- 3,000]
Max. Rated Operating Current	At rated voltage using the inertial test load	85 mA
Max. Start Voltage	Certified starting voltage. Measured at no load, where applicable	2.3 V
Rated Inertial Test Load	Mass of rated load standard test sled	100 g
Max. Operating Voltage		3.6 V
Min. Vibration Amplitude	Peak-to-peak value at rated voltage using the inertial test load	0.45 G
Max. Start Current	At rated voltage	115 mA

**FIND OUT HOW THIS PART COULD MEET YOUR SPECIFICATIONS**
**Email:** [enquiries@precisionmicrodrives.com](mailto:enquiries@precisionmicrodrives.com)  
**Call:** +44 (0) 1932 252482

**Important:** The characteristics of the motor is the typical operating parameters of the product. The data herein offers design guidance information only and supplied batches are validated for conformity against the specifications on the previous page.

## TYPICAL PERFORMANCE CHARACTERISTICS

PARAMETER	CONDITIONS	SPECIFICATION
Typical Rated Operating Current	At rated voltage using the inertial test load	61 mA
Typical Vibration Amplitude	Peak-to-peak value at rated voltage using the inertial test load	0.75 G
Typical Start Current	At rated voltage	94 mA
Typical Vibration Efficiency	At rated voltage using the inertial test load	4.1 G/W
Typical Norm. Amplitude	Peak-to-peak vibration amplitude normalised by the inertial test load at rated voltage	0.75 G
Typical Start Voltage	Measured at no load, where applicable	1.3 V
Typical Terminal Resistance		58 Ohm
Typical Terminal Inductance		250 uH

## TYPICAL HAPTIC CHARACTERISTICS

PARAMETER	CONDITIONS	SPECIFICATION
Typical Lag Time	At rated voltage using the inertial test load	20 ms
Typical Rise Time	At rated voltage using the inertial test load	54 ms
Typical Stop Time	At rated voltage using the inertial test load	81 ms
Typical Active Brake Time	Time taken from steady-state to 0.04 G under inverse polarity at max. voltage	27 ms

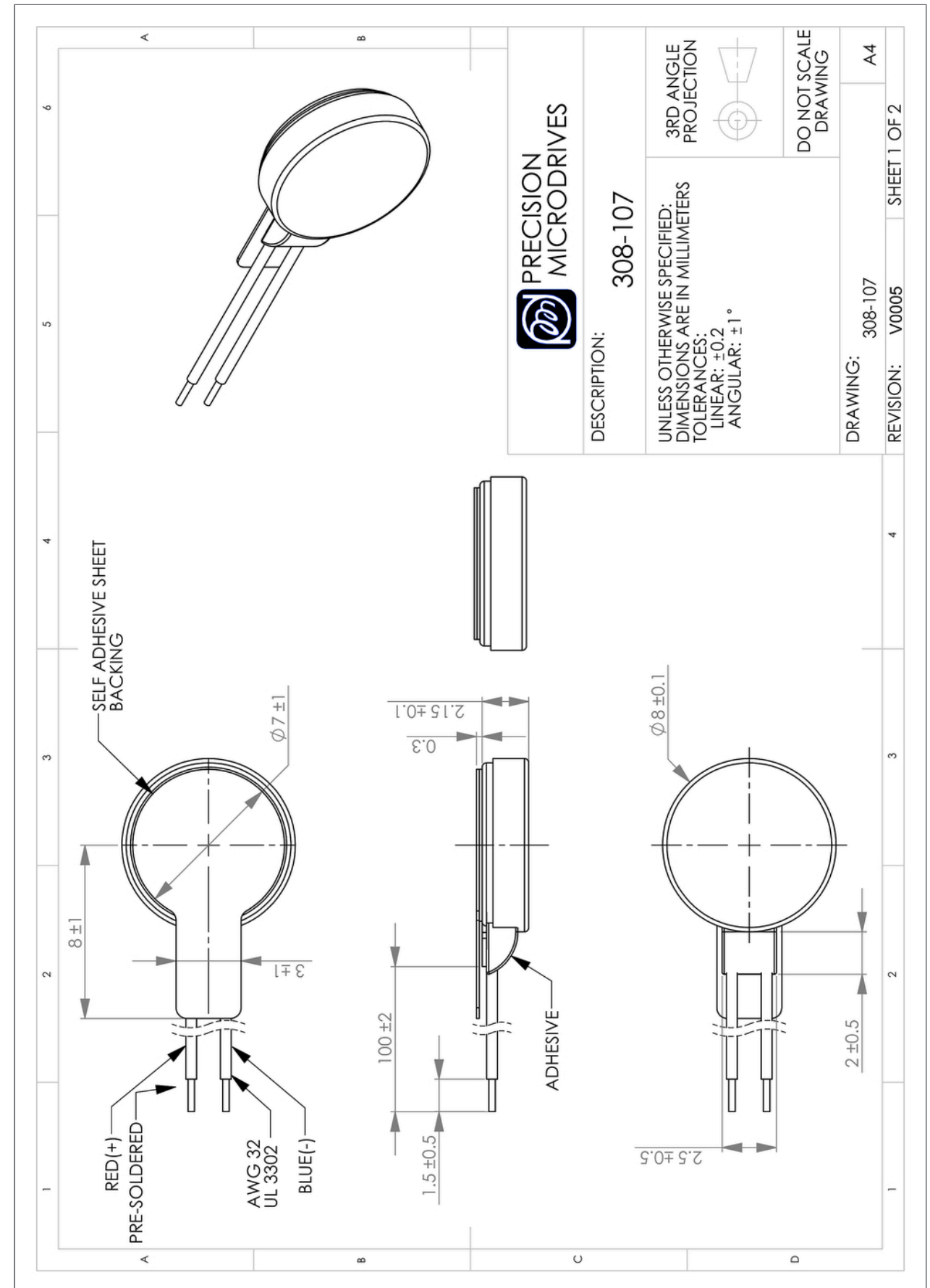
## ENVIRONMENTAL CHARACTERISTICS

PARAMETER	CONDITIONS	SPECIFICATION
Max. Operating Temp.		60 Deg.C
Min. Operating Temp.		-20 Deg.C
Max. Storage & Transportation Temp.		70 Deg.C
Min. Storage & Transportation Temp.		-30 Deg.C

**FIND OUT HOW THIS PART COULD MEET YOUR SPECIFICATIONS**

Email: [enquiries@precisionmicrodrives.com](mailto:enquiries@precisionmicrodrives.com)  
Call: +44 (0) 1932 252482

PRODUCT DIMENSIONAL SPECIFICATION



**PRECISION MICRODRIVES**

DESCRIPTION: **308-107**

UNLESS OTHERWISE SPECIFIED:  
DIMENSIONS ARE IN MILLIMETERS  
TOLERANCES:  
LINEAR:  $\pm 0.2$   
ANGULAR:  $\pm 1^\circ$



DO NOT SCALE DRAWING

DRAWING: 308-107  
REVISION: V0005  
SHEET 1 OF 2

A4

**FIND OUT HOW THIS PART COULD MEET YOUR SPECIFICATIONS**

Email: [enquiries@precisionmicrodrives.com](mailto:enquiries@precisionmicrodrives.com)  
Call: +44 (0) 1932 252482

## Reliability Analysis

This section presents information regarding the longevity test performed on the motor. The Mean Time to Failure reported in this page should not be interpreted as a guaranteed lifetime. Please check our Application Notes for further information.

Our longevity test consists of powering the motors at their rated voltage for 2 seconds, then turning them off for 2 seconds. This cycle is repeated over the total test time.

The test is performed by our custom longevity machine which drives the motors and collects performance data. The test parameters and results can be seen below.



## Test Parameters

- Motors tested: 40
- Test time: 700 hours
- Cycle period: 4 seconds
- Duty cycle: 50%
- Test voltage: 3 V
- Temperature: 25 °C

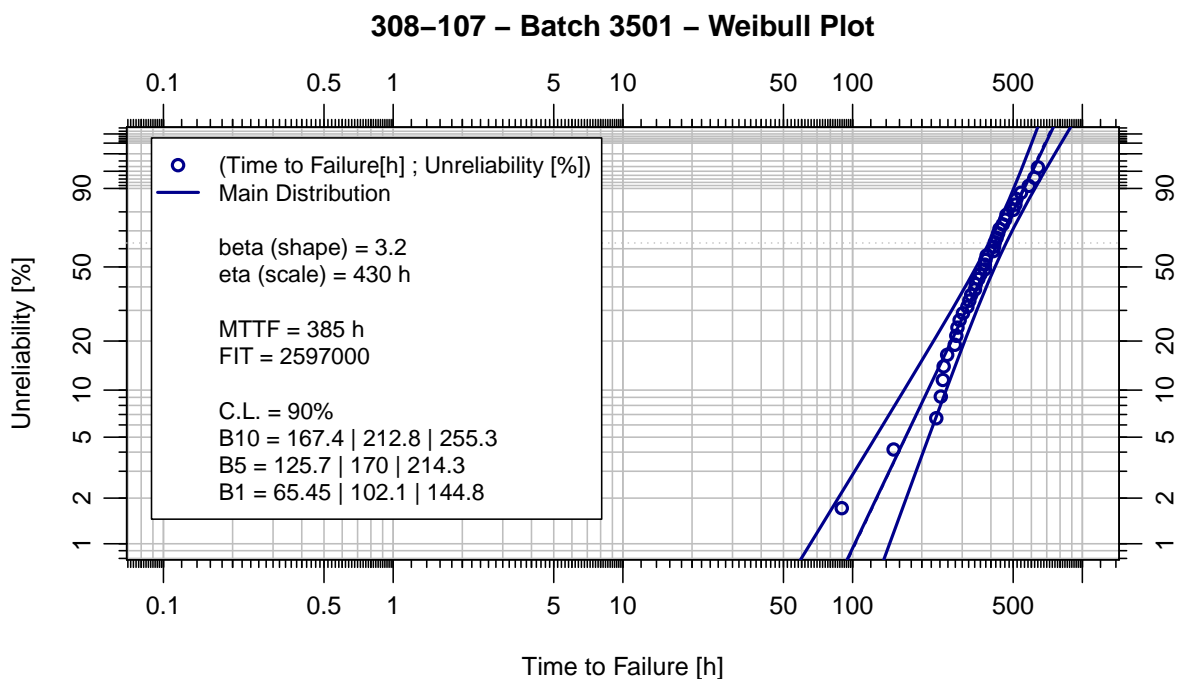
Formulas to derive the key reliability figures from a Weibull distribution:

$$MTTF = \eta * \Gamma\left(1 + \frac{1}{\beta}\right)$$

$$FIT = 10^9 / MTTF$$

## Test Result

The results for the longevity test are presented in a Weibull plot. From the fitting distribution it is possible to obtain an estimate of the Mean Time to Failure.



**FIND OUT HOW THIS PART COULD MEET YOUR SPECIFICATIONS**

Email: [enquiries@precisionmicrodrives.com](mailto:enquiries@precisionmicrodrives.com)  
Call: +44 (0) 1932 252482

### HOW TO ORDER

Call or email us with your order requirements at:

Email: **enquiries@precisionmicrodrives.com**

Phone: **+44 (0) 1932 252482**

Please quote the full part number when ordering or making an enquiry. Some products can be ordered in smaller volumes directly from our website: **www.precisionmicrodrives.com**

### DATASHEET REVISION AND VERSION NUMBERING

We aim to provide our customer with the most detailed product information available. Sometimes changes are necessary, and these will be controlled by our engineering change request and notification process. To track datasheet versions we use both a 'production revision number' and a 'document version number'. These can be found at the bottom of every page. In some cases, such as documentation errors, the document version number can increase without triggering a product revision.

### LIFE SUPPORT AND MISSION CRITICAL APPLICATION POLICY

PRECISION MICRODRIVES PRODUCTS ARE NOT AUTHORISED FOR USE AS CRITICAL COMPONENTS IN LIFE SUPPORT DEVICES OR OTHER CRITICAL APPLICATION SYSTEMS WITHOUT THE EXPRESS WRITTEN APPROVAL OF PRECISION MICRODRIVES LIMITED.

As used herein:

1. Life support devices or systems are devices or systems which,
  - 1.1. are intended for surgical implant into the body, or
  - 1.2. support or sustain life, and whose failure to perform when properly used in accordance with instructions for use provided in the labeling, can be reasonably expected to result in a significant injury to the user or a third party.
2. A critical component is any component of a life support device or any other system or machine whose failure to perform can be reasonably expected to cause the failure of the life support device or system, or to affect its safety or effectiveness.

### BATCH NUMBERING, MANUFACTURING, TRACEABILITY AND LABELLING

Every part manufactured by Precision Microdrives is at minimum identified and traced via a batch number. Where physically practical, we try to make each part with a batch number. In addition, some parts carry a lot code or barcode serial numbers. If traceability is a core requirement for your purchase, let us know and we'll outline the production options for you.

### STANDARD QUALITY CONTROLS AND ISO 9001

Precision quality control is one of our 3 key competitive advantages. All motors that we produce undergo 100% line inspection followed by strict and detailed batch sample testing in accordance with ISO 2859. All of the processes operated at Precision Microdrives are managed within our ISO 9001 quality system.



Precision Microdrives Limited  
Unit 1.07, Canterbury Court  
1-3 Brixton Road  
London  
SW9 6DE  
United Kingdom

**Tel:** +44 (0) 1932 252482  
**Fax:** +44 (0) 1932 325353  
**Email:** [enquiries@precisionmicrodrives.com](mailto:enquiries@precisionmicrodrives.com)  
**Web:** [www.precisionmicrodrives.com](http://www.precisionmicrodrives.com)  
Registered in England and Wales No. 5114621  
VAT Registration. GB 900 1238 84.